



MTP010 | potentiometer

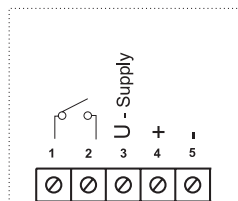
Potentiometer mounted in an IP44 splash water proof housing.

Can be used for inset mounting as well as for surface mounting.

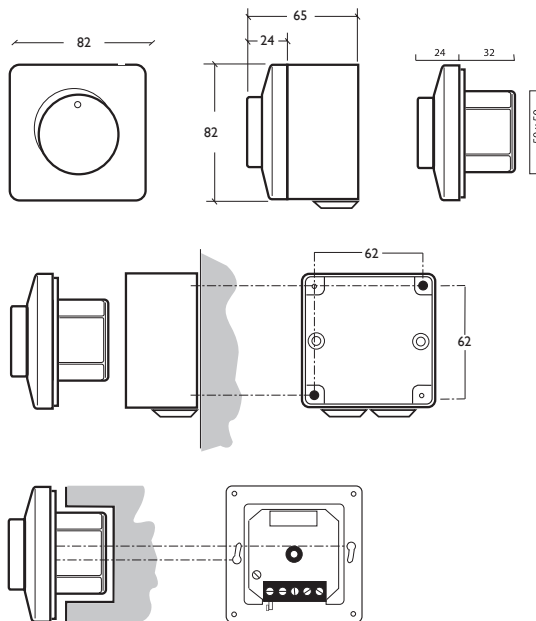
Features

- < Switch rating: 4 A / 250 Vac - 10 A / 12 Vdc
- < Resistance value: 10 KOhm

Wiring diagram



Dimensions & fixing



	weight
MTP010	145 gr